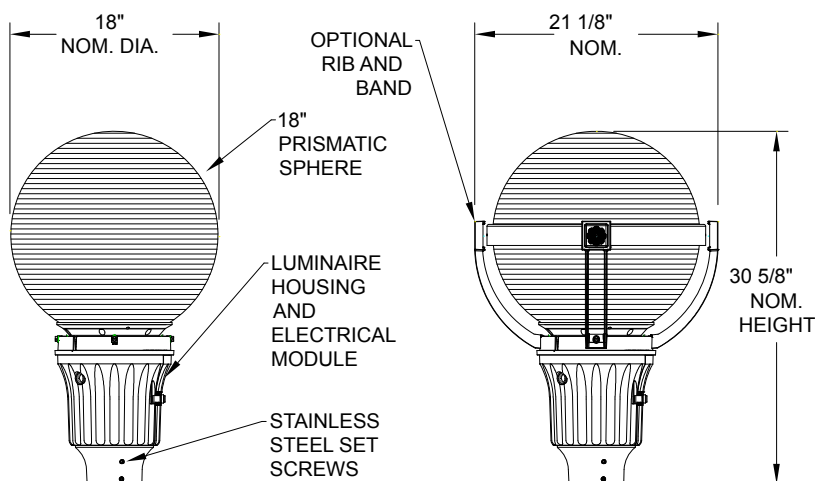


Catalog Number	
Notes	Type



* Shown with MS Housing



PSUE3

Prismsphere Utility LED3

Maximum weight - 42.5 lbs
Maximum effective projected area - 2.97 sq. ft.

Maximum weight - 50 lbs
Maximum effective projected area - 3.36 sq. ft.



SPECIFICATIONS

General Description

The Utility Prismsphere LED 3 is designed for ease of maintenance with the plug-in electrical module common to each of the luminaires in Holophane's Utility Luminaire Series. The simple, yet elegant sphere contains a powerful, stalk-mounted Chip-On-Board LED platform with a precision optical system that maximizes post spacings while maintaining uniform illumination.

Mechanical Specifications

The luminaire housing shall:

- Be heavy grade A360 cast aluminum (aluminum with <1% copper)
- IP55 rated housing provides tool-less access with a spring-loaded latch
- Incorporate a hidden hinge door allowing the door to swing open and remain open
- Offer an EEL- NEMA twist lock photocontrol receptacle, the housing must contain a tempered glass window to allow light to reach the cell
- Mount to slip-fitter that will accept 3" high by 2-7/8" to 3-1/8" O.D. pole tenon
- Provide four uniquely designed stainless steel spring clips, enclosed in a clear polyvinyl chloride sleeve and adjusted by 1/4-20 hex-head bolts that securely cradle the prismatic acrylic refractor. The same 1/4-20 bolts also support the decorative rib and banding assembly.

The finish shall:

- Utilize a polyester power coat paint to ensure maximum durability
- Rigorous multi-stage pre-treating and painting process yields a finish that achieves a scribe creepage rating of 8 (per ASTM D1654) after over 5000 hours exposure to salt fog chamber (operated per ASTM B117) on standard and RAL finish options.
- RAL (RALxxxxSDCR) paint colors are Super Durable Corrosion Resistant, 80% gloss.

Electrical Specifications

The driver shall meet the following requirements:

- Certified by UL or CSA for wet locations
- A factory programmable electronic driver with 0-10V dimming control leads
- LEDs shall have a minimum of 70 CRI and available in 2700K, 3000K, 4000K, and 5000K CCT
- The electrical system shall be designed to meet ANSI/IEEE C62.41.2 and shall offer a 10KV/5kA surge protection, fail off, as standard with an upgradable 20KV/10kA surge protection, fail off with indicator light, option
- Lumen output can be customized prior to manufacturing by way of FPDxx Options
- The electrical components are mounted on an aluminum plate that is removable with minimum use of tools. A matching five conductor plug connects to the receptacle in the luminaire housing to complete the wiring. For photoelectric operation, the electrical module is provided with an EEL-NEMA twist-lock photocell receptacle.

Optical Specifications

The optical system is IP66 rated and consists of an 18" injection molded acrylic prismatic sphere, mechanically attached to a mounted ring cast of copper free aluminum. Light from a cast aluminum vertical LED stalk is distributed by precisely molded refracting prisms to control brightness and create uniform vertical and horizontal illumination. A soft upward glow is allowed to gently illuminate foliage and building facades, created a luminous environment. Designed only for IES type V distributions.

Control Options

The control options shall include, but not limited to, the following:

- Field adjustable output to adjust output to luminaire - AO
- Long life photocontrol, 20 years – PCLL, P34 and P48 with DTL
- 3 and 7 pin receptacles internally in housing - (PR3, PR7) or inside acrylic lens (PR7E)
- nLight Air rSBOR6 outdoor fixture-mounted motion and photo-sensor, features a dual radio to communicate wirelessly to other nLight Air devices for group response to motion, on/off control in response to daylight and by switch – rSBOR6
- Fixture embedded nLight Air network interface for individual fixture control and dimming - NLTAIR2

Certification and Standards

- Luminaire shall be UL or CSA listed.
- Suitable for operation in an ambient temperature up to 40°C / 105°F per UL or CSA certification
- LM79 compliant
- DesignLights Consortium® (DLC) Premium qualified product and DLC qualified product. Not all versions of this product may be DLC Premium qualified or DLC qualified. Please check with the DLC Qualified Products List at www.designlights.org/OPL to confirm which versions are qualified.

BUY AMERICAN ACT

This product is assembled in the USA and meets the Buy America(n) government procurement requirements under FAR, DFARS and DOT regulations.

Please refer to www.acuitybrands.com/resources/buy-american for additional information.

Warranty – 5 Years Limited

This is the only warranty provided and no other statements in this specification sheet create any warranty of any kind. All other express and implied warranties are disclaimed. Complete warranty terms located at: www.acuitybrands.com/support/warranty/terms-and-conditions

Note: Actual performance may differ as a result of end-user environment and application. All values are design or typical values, measured under laboratory conditions at 25 °C.

ORDERING INFORMATION

Example: PSUE3 P30 30K MVOLT MS AL5 BK MISC

Series	LED Performance Package	LED Color temperature	Voltage	Housing Style
PSUE3 Prismasphere Utility LED3	P10 3,900 nominal lumens P20 6,600 nominal lumens P30 9,600 nominal lumens P40 13,400 nominal lumens P50 14,700 nominal lumens	27K 2700K CCT 30K 3000K CCT 40K 4000K CCT 50K 5000K CCT	MVOLT Auto-Sensing 120-277V 50/60HZ HVOLT Auto-Sensing 347-480V 50/60HZ	MS Modern Style Swing Open Design LS Leaf Style Swing Open Design

Optics	Housing Color	Ribs & Band	Ribs & Band Color	Options: <i>Option Compatibility Matrix on page 3 of 4</i>
AL5 Acrylic, Type V	BK Black BZ Bronze GH Graphite GN Green GR Gray PP Prime Paint WH White CMC CustomMatch Color Finish XX STD Finish, TBD RALxxxxSDCR RAL Super Durable Corrosion Resistant, 80% Gloss Paint, replace xxxx with RAL number.	(BLANK) No Ribs & Band RB Ribs & Band	TBK Black TGR Gray TGH Graphite TGN Green TPP Prime Paint TWH White TBZ Bronze TRALxxxxSDCR RAL Super Durable Corrosion Resistant, 80% Gloss Paint, replace xxxx with RAL number. TCMC Custom Color Match TXX STD Finish, TBD	CONTROLS OPTIONS AO Field Adjustable Output PR3 NEMA twistlock photocontrol receptacle - 3 pin PR7 NEMA twistlock dimming photocontrol receptacle - 7 pin PR7E NEMA twistlock dimming photocontrol receptacle - 7 Pin (Under Acrylic) PCLL Long Life DTL Twistlock Photocontrol for Solid State, MVOLT P34 Long Life DTL Twistlock Photocontrol for Solid State, 347V P48 Long Life DTL Twistlock Photocontrol for Solid State, 480V SH Shorting Cap RSBOR6 nLight Motion Sensing Photocontrols NLTAIR2 nLight RIO 2.0 Antenna DRIVER ELECTRICAL OPTIONS FPDxx Factory Programmed Driver 20KV Extreme surge protection 20kV/10kA, fail off with indicator light MISC Mex
				PREWIRED LEAD OPTIONS L1H 1.5 ft prewired leads L03 3ft prewired leads L10 10 ft prewired leads L20 20 ft prewired leads L25 25 ft prewired leads L30 30 ft prewired leads

Accessories: Order as separate catalog number.	
HOUSE-SIDE SHIELD OPTIONS	
GVDHSS90	House Side Shield Solid 90°
GVDHSS12	House Side Shield Solid 120°
GVDHSS18	House Side Shield Solid 180°

OPTIONS MATRIX

PSUE3		Housing Style		LED Package					Voltage		Distribution	Options											
		MS	LS	P10	P20	P30	P40	P50	MVOLT	HVOLT	AL5	A0	FPDxx	PR3	PR7	PR7E	PCLL	P34	P48	SH	RSBOR6	NLTAIR2	20kV
Housing Style	MS	N	Y	Y	Y	Y	Y	Y	Y	Y	Y	Y	Y	Y	Y	Y	Y	Y	Y	Y	Y	Y	Y
	LS	Y	N	Y	Y	Y	Y	Y	Y	Y	Y	Y	Y	Y	Y	Y	Y	Y	Y	Y	Y	Y	Y
LED Package	P10	Y	Y	N	N	N	N	Y	Y	Y	Y	Y	Y	Y	Y	Y	Y	Y	Y	Y	N	Y	
	P20	Y	Y	N	N	N	N	Y	Y	Y	Y	Y	Y	Y	Y	Y	Y	Y	Y	Y	Y	Y	
	P30	Y	Y	N	N	N	N	Y	Y	Y	Y	Y	Y	Y	Y	Y	Y	Y	Y	Y	Y	Y	
	P40	Y	Y	N	N	N	N	Y	Y	Y	Y	Y	Y	Y	Y	Y	Y	Y	Y	Y	Y	Y	
	P50	Y	Y	N	N	N	N	Y	Y	Y	Y	Y	Y	Y	Y	Y	Y	Y	Y	Y	Y	Y	
Voltage	MVOLT	Y	Y	Y	Y	Y	Y	Y	N	Y	Y	Y	Y	Y	Y	Y	N	N	Y	Y	Y	Y	
	HVOLT	Y	Y	Y	Y	Y	Y	Y	Y	Y	Y	Y	Y	Y	Y	N	N	N	Y	Y	Y	Y	
Distributions	AL5	Y	Y	Y	Y	Y	Y	Y	Y	Y	Y	Y	Y	Y	Y	Y	Y	Y	Y	Y	Y	Y	
	A0	Y	Y	Y	Y	Y	Y	Y	Y	Y	Y	Y	Y	Y	Y	Y	Y	Y	Y	N	N	Y	
Options	FPDxx	Y	Y	Y	Y	Y	Y	Y	Y	Y	Y	Y	Y	Y	Y	Y	Y	Y	Y	Y	Y	Y	
	PR3	Y	Y	Y	Y	Y	Y	Y	Y	Y	Y	Y	N	N	Y	Y	Y	Y	Y	N	N	Y	
	PR7	Y	Y	Y	Y	Y	Y	Y	Y	Y	Y	Y	N	N	Y	Y	Y	Y	Y	N	N	Y	
	PR7E	Y	Y	Y	Y	Y	Y	Y	Y	Y	Y	Y	N	N	Y	Y	Y	Y	Y	N	N	Y	
	PCLL	Y	Y	Y	Y	Y	Y	Y	N	Y	Y	Y	Y	Y	Y	N	N	N	N	N	N	Y	
	P34	Y	Y	Y	Y	Y	Y	Y	N	N	Y	Y	Y	Y	Y	N	N	N	N	N	N	Y	
	P48	Y	Y	Y	Y	Y	Y	Y	N	N	Y	Y	Y	Y	Y	N	N	Y	Y	N	N	Y	
	SH	Y	Y	Y	Y	Y	Y	Y	Y	Y	Y	Y	Y	Y	Y	N	N	Y	Y	N	N	Y	
	RSBOR6	Y	Y	Y	Y	Y	Y	Y	Y	Y	Y	N	Y	N	N	N	N	N	N	N	N	Y	
	NLTAIR2	Y	Y	N	Y	Y	Y	Y	Y	N	Y	N	Y	N	N	N	N	N	N	N	N	Y	
	20kV	Y	Y	Y	Y	Y	Y	Y	Y	Y	Y	Y	Y	Y	Y	Y	Y	Y	Y	Y	Y	Y	

MATRIX KEY

N = Combination Not available
 Y = Valid Option Combination

LUMEN AMBIENT TEMPERATURE (LAT) MULTIPLIERS

Use the factors to determine relative lumen output for average ambient temperatures from 0-40°C (32-104°F)

Ambient Temp		Lumen Multiplier	
°C	°F	P10, P20	P30, P40, P50
0	32	1.03	1.04
5	41	1.02	1.04
10	50	1.02	1.03
15	59	1.01	1.02
20	68	1.01	1.01
25	77	1.00	1.00
30	86	0.99	0.99
35	94	0.99	0.98
40	104	0.98	0.97

PROJECTED LED LUMEN MAINTENANCE

Data references the extrapolated performance projections for the platforms noted in 25°C ambient, based on 6,000 hours of LED testing (tested per IESNA LM-80-08 and projected per IESNA TM-21-11). To calculate LLF, use the lumen maintenance factor that corresponds to the desired number of operating hours below. For other lumen maintenance values, contact factory.

Lumen Maintenance - LLD (Same for all LED packages)							
Hours	0	25,000	36,000	50,000	60,000	75,000	100,000
Factor	1	0.96	0.94	0.91	0.90	0.87	0.83

The *italicized* data is extrapolated beyond the TM-21 standard.

PERFORMANCE DATA

Performance Package	Distribution	Input Watts	27K (2700K CCT, 70 CRI)					30K (3000K CCT, 70 CRI)					40K (4000K CCT, 70 CRI)					50K (5000K CCT, 70 CRI)				
			Lumens	LPW	B	U	G	Lumens	LPW	B	U	G	Lumens	LPW	B	U	G	Lumens	LPW	B	U	G
P10	AL5	24	3,366	140	3	3	3	3,820	159	3	3	3	3,891	162	3	3	3	3,962	165	3	3	3
P20	AL5	40	5,698	142	3	4	3	6,467	162	3	4	3	6,587	165	3	4	3	6,707	168	3	4	3
P30	AL5	61	8,277	136	3	4	4	9,395	154	4	4	4	9,569	157	4	4	4	9,744	160	4	4	4
P40	AL5	91	11,561	127	4	5	5	13,123	144	4	5	5	13,366	147	4	5	5	13,609	150	4	5	5
P50	AL5	110	12,717	116	4	5	5	14,434	131	4	5	5	14,702	134	4	5	5	14,969	136	4	5	5

FPDXX DATA OPTIONS

FPDxx Setting	Wattage	P10 27K	P10 30K	P10 40K	P10 50K
Standard	24	AL5	AL5	AL5	AL5
FPD95	23	3,366	3,820	3,891	3,962
FPD90	22	3,208	3,641	3,709	3,776
FPD85	21	2,906	3,299	3,360	3,421
		2,496	2,833	2,885	2,938

FPDxx Setting	Wattage	P20 27K	P20 30K	P20 40K	P20 50K
Standard	40	AL5	AL5	AL5	AL5
FPD95	38	5,698	6,467	6,587	6,707
FPD90	36	5,434	6,169	6,283	6,397
FPD85	34	5,169	5,867	5,976	6,085
FPD80	32	4,902	5,564	5,667	5,770
FPD75	30	4,633	5,259	5,356	5,454
FPD70	28	4,362	4,951	5,043	5,135
		4,216	4,786	4,875	4,963

FPDxx Setting	Wattage	P30 27K	P30 30K	P30 40K	P30 50K
Standard	61	AL5	AL5	AL5	AL5
FPD95	59	8,277	9,395	9,569	9,744
FPD90	56	7,911	8,980	9,146	9,313
FPD85	52	7,540	8,558	8,717	8,875
FPD80	49	7,163	8,131	8,281	8,432
FPD75	46	6,782	7,698	7,841	7,983
FPD70	43	6,396	7,260	7,394	7,529
		6,005	6,817	6,943	7,069

FPDxx Setting	Wattage	P40 27K	P40 30K	P40 40K	P40 50K
Standard	91	AL5	AL5	AL5	AL5
FPD95	86	11,561	13,123	13,366	13,609
FPD90	82	11,068	12,563	12,796	13,029
FPD85	77	10,565	11,992	12,214	12,436
FPD80	72	10,052	11,410	11,621	11,833
FPD75	68	9,530	10,818	11,018	11,219
		9,000	10,216	10,405	10,594

FPDxx Setting	Wattage	P50 27K	P50 30K	P50 40K	P50 50K
Standard	110	AL5	AL5	AL5	AL5
FPD95	104	12,717	14,434	14,702	14,969
FPD90	98	12,201	13,848	14,106	14,362
FPD85	93	11,672	13,248	13,493	13,739
		11,128	12,631	12,866	13,099

OPTIONAL COMPONENTS



AO
Manual field adjustable output dimming device



RSBOR6
Motion and photosensor (Black) communicates wirelessly to other nLight AIR devices



20KV
Safeguard your investment from extreme voltage spikes with our new Extreme 20kV/10kA SPD



NLTAIR2
Fixture embedded nLight AIR network interface provides individual fixture control and digital dimming capabilities