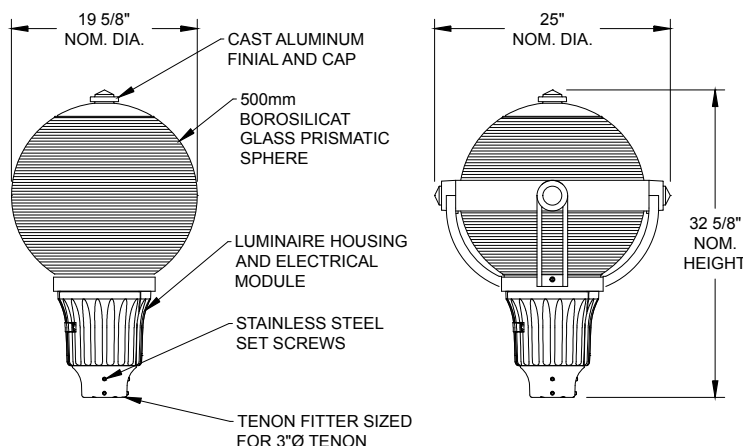


Catalog Number	
Notes	Type



Without Ribs & Band:
 Maximum weight - 57 lbs.
 Maximum effective projected area - 3.35 sq. ft.

With Ribs & Band:
 Maximum weight - 67 lbs.
 Maximum effective projected area - 3.71 sq. ft.

RFUE3

Riverfront Utility LED3



SPECIFICATIONS

General Description

The Riverfront Utility Postlite LED 3 is styled to replicate the acorn luminaires that lighted streets in the first half of the 20th century. Designed for superior light control, ease of installation, and maintenance, the Riverfront Utility Postlite has a precision prismatic glass optical system for true street and area lighting performance as well as beauty. The large sphere-shaped luminaire is adorned with an elegant band and ribs trim package for a strong architectural statement. The luminaire contains a powerful, stalk-mounted Chip-On-Board, LED platform with a precision optical system that maximizes post spacings while maintaining uniform illumination.

Mechanical Specifications

The luminaire housing shall:

- Be heavy grade A360 cast aluminum (aluminum with <1% copper)
- IP55 rated housing provides tool-less access with a spring-loaded latch
- Incorporate a hidden hinge door allowing the door to swing open and remain open
- Offer an EEL-NEMA twist lock photocontrol receptacle, the housing must contain a tempered glass window to allow light to reach the cell
- Mount to slip-fitter that will accept 3" high by 2-7/8" to 3-1/8" O.D. pole tenon
- The glass optic is bolted onto to a gasketed top housing plate, using four stainless steel bolts that form a seal of the optical assembly

The finish shall:

- Utilize a polyester power coat paint to ensure maximum durability
- Rigorous multi-stage pre-treating and painting process yields a finish that achieves a scribe creepage rating of 8 (per ASTM D1654) after over 5000 hours exposure to salt fog chamber (operated per ASTM B117) on standard and RAL finish options.
- RAL (RALxxxxSDCR) paint colors are Super Durable Corrosion Resistant, 80% gloss.

Electrical Specifications

The driver shall meet the following requirements:

- Certified by UL or CSA for wet locations
- A factory programmable electronic driver with 0-10V dimming control leads
- LEDs shall have a minimum of 70 CRI and available in 2700K, 3000K, 4000K, and 5000K CCT
- The electrical system shall be designed to meet ANSI/IEEE C62.41.2 and shall offer a 10kV/5kA surge protection, fail off, as standard with an upgradable 20kV/10kA surge protection, fail off with indicator light, option
- Lumen output can be customized prior to manufacturing by way of FPDxx option
- The electrical components are mounted on an aluminum plate that is removeable with minimum use of tools. A matching five conductor plug connects to the receptacle in the luminaire housing to complete the wiring. For photoelectric operation, the electrical module is provided with an EEL-NEMA twist-lock photocell receptacle.

Optical Specifications

The optical system is IP66 rated and consists of a precisely molded thermal resistant borosilicate glass refractor and top reflector mounted within a trim package that consists of decorative ribs and band. The optical design provides a soft up-light component to define the traditional sphere shape of the luminaire. The optical design uses precisely molded prisms to maximize pole spacings while maintaining uniform illuminance. Available in IES type V distribution only.

Control Options

The control options shall include, but not limited to, the following:

- Field adjustable output to adjust output to luminaire - AO
- Long life photocontrol, 20 years - PCLL, P34 and P48 with DTL
- 3 and 7 pin receptacles internally in housing - (PR3, PR7)
- nLight Air rSBOR6 outdoor fixture-mounted motion and photo-sensor, features a dual radio to communicate wirelessly to other nLight Air devices for group response to motion, on/off control in response to daylight and by switch - RSBOR6
- Fixture embedded nLight Air network interface for individual fixture control and dimming, NLTAIR2

Certification and Standards

- Luminaire shall be UL or CSA listed.
- Suitable for operation in an ambient temperature up to 40°C / 105°F per UL or CSA certification
- LM79 compliant

BUY AMERICAN ACT

This product is assembled in the USA and meets the Buy America(n) government procurement requirements under FAR, DFARS and DOT regulations.

Please refer to www.acuitybrands.com/resources/buy-american for additional information.

Warranty - 5 Years Limited

This is the only warranty provided and no other statements in this specification sheet create any warranty of any kind. All other express and implied warranties are disclaimed. Complete warranty terms located at: www.acuitybrands.com/support/warranty/terms-and-conditions

Note: Actual performance may differ as a result of end-user environment and application. All values are design or typical values, measured under laboratory conditions at 25 °C.

ORDERING INFORMATION

Example: RFUE3 P30 30K MVOLT MS GL5 BK MISC

Series	LED Performance Package	LED Color temperature	Voltage	Housing Style
RFUE3 Riverfront Utility LED3	P10 3,700 nominal lumens P20 5,900 nominal lumens P30 8,800 nominal lumens P40 12,200 nominal lumens P50 14,600 nominal lumens P60 17,300 nominal lumens P70 19,700 nominal lumens	27K 2700K CCT 30K 3000K CCT 40K 4000K CCT 50K 5000K CCT	MVOLT Auto-Sensing 120-277V 50/60HZ HVOLT Auto-Sensing 347-480V 50/60HZ	MS Modern Style Swing Open Design

Optics	Housing Color	Ribs & Band	Ribs & Band Color	Options: <i>Option Compatibility Matrix on page 3 of 4</i>
GL5 Glass, Type V	BK Black BZ Bronze GH Graphite GN Green GR Grey PP Prime Paint WH White CMC CustomMatchColor Finish XX STD Finish, TBD RALxxxxSDCR RAL Super Durable Corrosion Resistant, 80% Gloss Paint, replace xxxx with RAL number.	(Blank) No Ribs & Band RB Ribs & Band	(Blank) No Ribs & Band TBK Black TBZ Bronze TGL Gold TGH Graphite TGN Green TGR Grey TPP Prime Paint TWH White TCMC Custom Match Color Finish XX STD Finish, TBD TRALxxxxSDCR RAL Super Durable Corrosion Resistant, 80% Gloss Paint, replace xxxx with RAL number.	CONTROLS OPTIONS A0 Field Adjustable Output PR3 NEMA twistlock photocontrol receptacle - 3 pin PR7 NEMA twistlock dimming photocontrol receptacle - 7 pin PCLL Long Life DTL Twistlock Photocontrol for Solid State, MVOLT P34 Long Life DTL Twistlock Photocontrol for Solid State, 347V P48 Long Life DTL Twistlock Photocontrol for Solid State, 480V SH Shorting Cap RSBOR6 nLight Motion Sensing Photocontrols NLTAIR2 nLight rIO 2.0 Antenna DRIVER ELECTRICAL OPTIONS FPDxx Factory Programmed Driver 20KV Extreme surge protection 20kV/10kA, fail off with indicator light MISC Mex
				PREWIRED LEAD OPTIONS L1H 1.5 ft prewired leads L03 3ft prewired leads L10 10 ft prewired leads L20 20 ft prewired leads L25 25 ft prewired leads L30 30 ft prewired leads

Accessories: Order as separate catalog number.	
HOUSE-SIDE SHIELD OPTIONS	
WLEDHSS90	House Side Shield Solid 90°
WLEDHSS12	House Side Shield Solid 120°
WLEDHSS18	House Side Shield Solid 180°

OPTIONS MATRIX

RFUE3 (Utility Housing)		Housing Style	LED Package							Voltage		Distribution		Options										
			P10	P20	P30	P40	P50	P60	P70	MVOLT	HVOLT	GL5	AO	FPDxx	PR3	PR7	PCLL	P34	P48	SH	RSBOR6	NLTAIR2	20kV	
Housing Style	MS	Y	Y	Y	Y	Y	Y	Y	Y	Y	Y	Y	Y	Y	Y	Y	Y	Y	Y	Y	Y	Y	Y	Y
LED Package	P10	Y	N	N	N	N	N	N	Y	Y	Y	Y	Y	Y	Y	Y	Y	Y	Y	Y	Y	N	Y	
	P20	Y	N	N	N	N	N	N	Y	Y	Y	Y	Y	Y	Y	Y	Y	Y	Y	Y	Y	Y	Y	Y
	P30	Y	N	N	N	N	N	N	Y	Y	Y	Y	Y	Y	Y	Y	Y	Y	Y	Y	Y	Y	Y	Y
	P40	Y	N	N	N	N	N	N	Y	Y	Y	Y	Y	Y	Y	Y	Y	Y	Y	Y	Y	Y	Y	Y
	P50	Y	N	N	N	N	N	N	Y	Y	Y	Y	Y	Y	Y	Y	Y	Y	Y	Y	Y	Y	Y	Y
	P60	Y	N	N	N	N	N	N	Y	Y	Y	Y	Y	Y	Y	Y	Y	Y	Y	Y	Y	Y	N	Y
	P70	Y	N	N	N	N	N	N	Y	Y	Y	Y	Y	Y	Y	Y	Y	Y	Y	Y	Y	Y	N	Y
Voltage	MVOLT	Y	Y	Y	Y	Y	Y	Y	Y	N	Y	Y	Y	Y	Y	Y	N	N	Y	Y	Y	Y	Y	Y
	HVOLT	Y	Y	Y	Y	Y	Y	Y	Y	N	Y	Y	Y	Y	N	Y	Y	Y	Y	Y	Y	Y	N	Y
Distributions	GL5	Y	Y	Y	Y	Y	Y	Y	Y	Y	Y	Y	Y	Y	Y	Y	Y	Y	Y	Y	Y	Y	Y	Y
	AO	Y	Y	Y	Y	Y	Y	Y	Y	Y	Y	Y	Y	Y	Y	Y	Y	Y	Y	Y	Y	N	N	Y
Options	FPDxx	Y	Y	Y	Y	Y	Y	Y	Y	Y	Y	Y	Y	Y	Y	Y	Y	Y	Y	Y	Y	Y	Y	Y
	PR3	Y	Y	Y	Y	Y	Y	Y	Y	Y	Y	Y	Y	N	Y	Y	Y	Y	Y	Y	N	N	N	Y
	PR7	Y	Y	Y	Y	Y	Y	Y	Y	Y	Y	Y	Y	N	Y	Y	Y	Y	Y	Y	N	N	N	Y
	PCLL	Y	Y	Y	Y	Y	Y	Y	Y	N	Y	Y	Y	Y	Y	N	N	N	N	N	N	N	N	Y
	P34	Y	Y	Y	Y	Y	Y	Y	N	Y	Y	Y	Y	Y	N	N	N	N	N	N	N	N	N	Y
	P48	Y	Y	Y	Y	Y	Y	Y	N	Y	Y	Y	Y	Y	N	N	N	N	N	N	N	N	N	Y
	SH	Y	Y	Y	Y	Y	Y	Y	Y	Y	Y	Y	Y	Y	N	N	N	N	N	N	N	N	N	Y
	RSBOR6	Y	Y	Y	Y	Y	Y	Y	Y	Y	Y	Y	N	Y	N	N	N	N	N	N	N	N	N	Y
	NLTAIR2	Y	N	Y	Y	Y	Y	N	Y	N	Y	N	Y	N	N	N	N	N	N	N	N	N	N	Y
	20kV	Y	Y	Y	Y	Y	Y	Y	Y	Y	Y	Y	Y	Y	Y	Y	Y	Y	Y	Y	Y	Y	Y	Y

MATRIX KEY

N = Combination Not available

Y = Valid Option Combination

LUMEN AMBIENT TEMPERATURE (LAT) MULTIPLIERS

Use the factors to determine relative lumen output for average ambient temperatures from 0-40°C (32-104°F)

Ambient Temp		Lumen Multiplier	
°C	°F	P10, P20	P30, P40, P50, P60, P70
0	32	1.03	1.04
5	41	1.02	1.04
10	50	1.02	1.03
15	59	1.01	1.02
20	68	1.01	1.01
25	77	1.00	1.00
30	86	0.99	0.99
35	94	0.99	0.98
40	104	0.98	0.97

PROJECTED LED LUMEN MAINTENANCE

Data references the extrapolated performance projections for the platforms noted in 25°C ambient, based on 6,000 hours of LED testing (tested per IESNA LM-80-08 and projected per IESNA TM-21-11). To calculate LLF, use the lumen maintenance factor that corresponds to the desired number of operating hours below. For other lumen maintenance values, contact factory.

Lumen Maintenance - LLD (Same for all LED packages)							
Hours	0	25,000	36,000	50,000	60,000	75,000	100,000
Factor	1	0.96	0.94	0.91	0.90	0.87	0.83

The *italicized* data is extrapolated beyond the TM-21 standard.

PERFORMANCE DATA

Performance Package	Distribution	Input Watts	27K (2700K CCT, 70 CRI)					30K (3000K CCT, 70 CRI)					40K (4000K CCT, 70 CRI)					50K (5000K CCT, 70 CRI)				
			Lumens	LPW	B	U	G	Lumens	LPW	B	U	G	Lumens	LPW	B	U	G	Lumens	LPW	B	U	G
P10	GL5	21	3,204	153	1	4	3	3,637	173	2	4	3	3,704	176	2	4	3	3,771	180	2	4	3
P20	GL5	34	5,082	149	2	5	3	5,769	170	2	5	4	5,876	173	2	5	4	5,983	176	2	5	4
P30	GL5	54	7,627	141	3	5	4	8,658	160	3	5	5	8,818	163	3	5	5	8,979	166	3	5	5
P40	GL5	76	10,512	138	3	5	5	11,932	157	3	5	5	12,153	160	3	5	5	12,374	163	3	5	5
P50	GL5	94	12,667	135	3	5	5	14,378	153	3	5	5	14,644	156	3	5	5	14,911	159	3	5	5
P60	GL5	115	14,921	130	3	5	5	16,936	147	4	5	5	17,250	150	4	5	5	17,564	153	4	5	5
P70	GL5	143	17,057	119	4	5	5	19,361	135	4	5	5	19,720	138	4	5	5	20,079	140	4	5	5

PERFORMANCE DATA with RIBS & BAND Option

Performance Package	Distribution	Input Watts	27K (2700K CCT, 70 CRI)					30K (3000K CCT, 70 CRI)					40K (4000K CCT, 70 CRI)					50K (5000K CCT, 70 CRI)				
			Lumens	LPW	B	U	G	Lumens	LPW	B	U	G	Lumens	LPW	B	U	G	Lumens	LPW	B	U	G
P10	GL5	21	2,129	101	1	4	2	2,417	115	1	4	2	2,462	117	1	4	2	2,506	119	1	4	2
P20	GL5	34	3,378	99	1	5	3	3,834	113	1	5	3	3,905	115	1	5	3	3,976	117	1	5	3
P30	GL5	54	5,069	94	2	5	3	5,754	107	2	5	3	5,861	109	2	5	4	5,967	111	2	5	4
P40	GL5	76	6,986	92	2	5	4	7,930	104	2	5	4	8,077	106	2	5	4	8,224	108	2	5	4
P50	GL5	94	8,418	90	2	5	4	9,555	102	3	5	5	9,733	104	3	5	5	9,910	105	3	5	5
P60	GL5	115	9,916	86	3	5	5	11,255	98	3	5	5	11,464	100	3	5	5	11,673	102	3	5	5
P70	GL5	143	11,336	79	3	5	5	12,867	90	3	5	5	13,106	92	3	5	5	13,344	93	3	5	5

FPDXX DATA OPTIONS

FPDxx Setting	Wattage	P10 27K	P10 30K	P10 40K	P10 50K
		GL5	GL5	GL5	GL5
Standard	21	3,204	3,637	3,704	3,771
FPD95	20	3,053	3,466	3,530	3,594
FPD90	19	2,902	3,294	3,355	3,416

FPDxx Setting	Wattage	P20 27K	P20 30K	P20 40K	P20 50K
		GL3	GL3	GL3	GL3
Standard	34	5,082	5,769	5,876	5,983
FPD95	31	4,844	5,499	5,601	5,703
FPD90	30	4,605	5,227	5,324	5,421
FPD85	28	4,364	4,954	5,046	5,138
FPD80	26	4,123	4,680	4,767	4,853
FPD75	24	3,880	4,404	4,486	4,567
FPD70	23	3,636	4,127	4,204	4,280

FPDxx Setting	Wattage	P30 27K	P30 30K	P30 40K	P30 50K
		GL3	GL3	GL3	GL3
Standard	54	7,627	8,658	8,818	8,979
FPD95	51	7,570	8,594	8,752	8,912
FPD90	49	7,205	8,179	8,330	8,482
FPD85	46	6,836	7,760	7,904	8,048
FPD80	43	6,464	7,338	7,474	7,610
FPD75	41	6,089	6,912	7,040	7,168
FPD70	38	5,711	6,483	6,602	6,723

FPDxx Setting	Wattage	P40 27K	P40 30K	P40 40K	P40 50K
		GL3	GL3	GL3	GL3
Standard	76	10,512	11,932	12,153	12,374
FPD95	73	10,353	11,752	11,970	12,187
FPD90	70	9,880	11,215	11,423	11,630
FPD85	66	9,399	10,668	10,866	11,063
FPD80	62	8,909	10,112	10,299	10,487

FPDxx Setting	Wattage	P50 27K	P50 30K	P50 40K	P50 50K
		GL3	GL3	GL3	GL3
Standard	94	12,667	14,378	14,644	14,911
FPD95	90	12,641	14,349	14,614	14,881
FPD90	85	12,077	13,708	13,962	14,216
FPD85	80	11,500	13,053	13,295	13,537

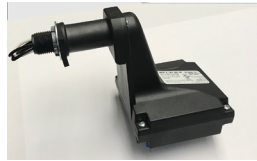
FPDxx Setting	Wattage	P60 27K	P60 30K	P60 40K	P60 50K
		GL3	GL3	GL3	GL3
Standard	115	14,921	16,936	17,250	17,564
FPD95	109	14,316	16,249	16,551	16,852
FPD90	103	13,695	15,545	15,833	16,121
FPD85	97	13,058	14,822	15,097	15,371

FPDxx Setting	Wattage	P70 27K	P70 30K	P70 40K	P70 50K
		GL3	GL3	GL3	GL3
Standard	143	17,057	19,361	19,720	20,079
FPD95	135	16,425	18,644	18,990	19,335
FPD90	128	15,768	17,898	18,229	18,561
FPD85	122	15,084	17,122	17,439	17,757
FPD80	115	14,375	16,317	16,619	16,922

OPTIONAL COMPONENTS



A0
Manual field adjustable output dimming device



RSBOR6
Motion and photosensor (Black) communicates wirelessly to other nLight AIR devices



20KV
Safeguard your investment from extreme voltage spikes with our new Extreme 20kV/10kA SPD



NLTAIR2
Fixture embedded nLight AIR network interface provides individual fixture control and digital dimming capabilities