

Catalog Number	
Notes	Type

HXPL Series

Hazardous Area Lighting Fixtures



Description

- Versatile heavy-duty, explosion-proof LED fixture designed for hazardous environments where flammable gases or vapors, flammable liquids, combustible dust and/or ignitable fibers may exist.
- Also suitable for indoor and outdoor areas where corrosive chemicals exist.
- Certain airborne contaminants may adversely affect the functioning of LEDs and other electronic components, depending on various factors such as concentrations of the contaminants, ventilation, and temperature at the end-user location. [Click here for a list of substances that may not be suitable for interaction with LEDs and other electronic components.](#)

Optics

- Explosion-proof, impact and heat resistant glass tubes, provide LED protection.
- Optional wire guard and/or clear polycarbonate shield available for additional security.
- Heavy gauge extruded aluminum reflectors (2.5 millimeters thick), with high gloss reflective finish. Resists dents and corrosion. Easy, quick removal for cleaning.
- 84CRI is standard.

Electrical

- 0-10V dimming driver is standard, dims to 10%.
- Driver has 1.5kV surge protection, for additional surge protection against power line transient surges, installer will need to provide remote surge protection.

Mechanical

- Factory sealed.
- Fixture constructed of corrosion-resistant, copper-free aluminum alloy (less than 0.4% copper).
- Over-sized, finned driver housing provides greater heat dissipation and extended driver life.
- Maintenance can be done quickly from either end of the fixture. All access covers are screw type and interchangeable with O-ring seals. Easily accessible and externally mounted.

Typical Applications

- | | |
|------------------------|--|
| • Paint Spray Booth | • Chemical Plants |
| • Coal & Dust Storage | • Waste Water & Water Treatment Plants |
| • Petroleum Refineries | • Power Generation Plants |
| • Ethanol Facilities | |

Listings

- UL Listed to US and Canadian standards
- Suitable for use in hazardous locations (UL844) Class I, Division 1, Groups C and D Class II, Division 1, Groups E, F, and G Class III
- Zone Equivalency Markings (See chart on page 5)
- -4°F (-20°C) to 131°F (55°C) (see chart on page 4)
- NEMA 4X, 7CD & 9EFG rated
- IP66 rated
- Paint Spray Booth

Buy America Act

This product is assembled in the USA and meets the Buy America(n) government procurement requirements under FAR, DFARS and DOT regulations. Please refer to www.acuitybrands.com/buy-american for additional information.

Warranty

5-year limited warranty on the fixture. This is the only warranty provided and no other statements in this specification sheet create any warranty of any kind. All other express and implied warranties are disclaimed. Complete warranty terms located at: www.acuitybrands.com/support/warranty/terms-and-conditions

Note: Actual performance may differ as a result of end-user environment and application.

All values are design or typical values, measured under laboratory conditions at 25 °C.

Specifications subject to change without notice.

Dimensions: Inches (millimeters) unless otherwise noted.

See individual fixture dimensions and weight specifications on page 2.

HXPL Series

Hazardous Area Lighting Fixtures



ORDERING INFORMATION

Example: HXPL L24 2 3000LM AS DM 30K MISC

Series	Fixture Length	Number of Tubes	Lumens	Voltage	Dimming	Color Temperature	Options	
HXPL	L24 2 foot	2 2 tubes	3L 3000 nominal lumens (2ft, 2 tube)	AS 120-277V, 50/60Hz	DM Dimmable (0-10V DC) ‡	30K 3000K	EM10WCP 10 watt internal emergency driver, 0°C min, UL924 compliant, certified in CA Title 20 MAEDBS ‡	
	L48 4 foot	3 3 tubes ‡	4L 4000 nominal lumens (2ft, 3 tube)	120 120V, 50/60Hz	NDM Non-Dimming Driver	40K 4000K	EMO Emergency operation only, UL924 compliant ‡	
		4 4 tubes	5L 5000 nominal lumens (4ft, 2 tube)	208 208V, 50/60Hz		50K 5000K		
				8L 8000 nominal lumens (4ft, 3 tube)	240 240V, 50/60Hz			DS Outboard option
				10L 10000 nominal lumens (4ft, 4 tube)	277 277V, 50/60Hz			IF In-line Fusing ‡
								MISC Mex

Accessories: Order as separate catalog number.			
HXPL22TSSG	Stainless steel guards (L24 2 3L only)	HXPL43TPS	Polycarb shield (L48 3 8L only) ‡
HXPL42TSSG	Stainless steel guards (L48 2 5L only)	HXPL44TPS	Polycarb shield (L48 4 10L only) ‡
HXPL43TSSG	Stainless steel guards (L48 3 8L only)	HXPLWCMK	Wall/ceiling mounting kit ‡
HXPL44TSSG	Stainless steel guards (L48 4 10L only) ‡	HXPLSMK	Shock mounting kit ‡
HXPL23TPS	Polycarb shield (L24 3 4L only)	HXPLDMK	Drop mounting kit ‡
HXPL22TPS	Polycarb shield (L24 2 3L only)	HXPLBMK	Beam mounting kit ‡
HXPL42TPS	Polycarb shield (L48 2 5L only)	HXPLUMK	Unistrut mounting kit ‡

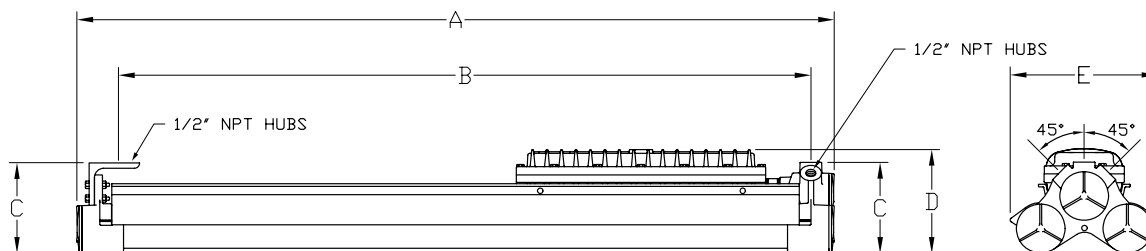
‡ Option Value Ordering Restrictions & Notes	
Option value	Restriction
3 tubes	The 3 tube option does not have an available accessory mounting kit available. See page 2 for drawing detailing the 3/4" NPT hubs used to mount the fixture.
DM	Not available with EM10WCP or EMO.
EM10WCP	Available with L48, 4 foot versions of the fixture only. Not available with DM option. Nameplate label on the fixture will show EM to indicate a battery is included.
EMO	Available with the L24 2 3L (3000 lumen) version of the fixture only. Not available with DM option. Fixture operation: Under normal power conditions, battery will charge and fixture will be OFF. If Power is lost then battery will power the LEDs until the power is restored or a min of 90 minutes has elapsed.
HXPL44TSSG	Will ship with a qty of 2 HXPL42TSSG guards.
HXPL44TPS	Will ship with a qty of 2 HXPL42TPS guards.
HXPL43TPS	3 tube fixtures with polycarb shields require a qty of 1 HXPL43TSSG stainless steel guard.
HXPLWCMK, HXPLSMK, HXPLDMK, HXPLBMK	Available with 2 tube fixtures only.
HXPLUMK	Available with 4 tube fixtures only.
IF	External Fusing. Must specify voltage at time of order. Nameplate label on the fixture will show AS to indicate the voltage.

HXPL Series

Hazardous Area Lighting Fixtures

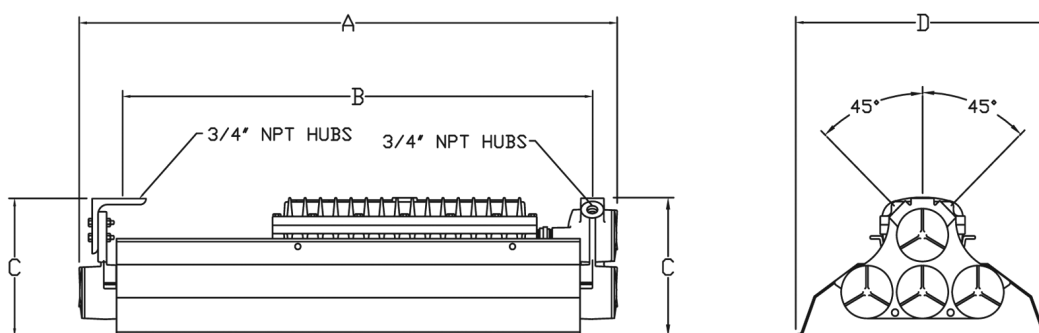
DIMENSIONAL DATA

2 tube fixture dimensions



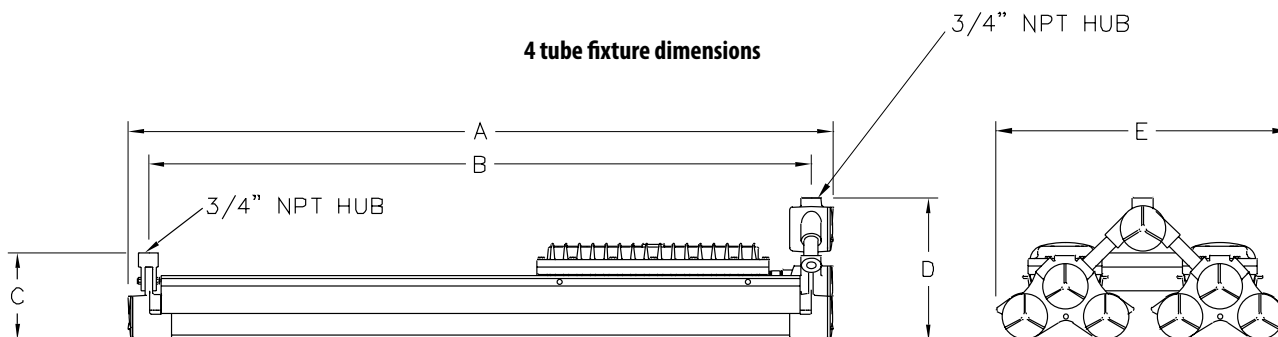
Package	A	B	C	D	E	Boxed Weight
Two-tube, four-foot	53"	48.5"	6.5"	7"	11.5"	65 lbs.
Two-tube, two-foot	29"	24.5"	6.5"	7"	11.5"	40 lbs.

3 tube fixture dimensions



Package	A	B	C	D	Boxed Weight
Three-tube, four-foot	53"	48.5"	8.9"	16.3"	78 lbs.
Three-tube, two-foot	29"	24.5"	8.9"	16.3"	47 lbs.

4 tube fixture dimensions



Package	A	B	C	D	E	Boxed Weight
Four-tube, four-foot	53"	49.4"	6.8"	11.3"	23.2"	138 lbs.

HXPL Series

Hazardous Area Lighting Fixtures



OPERATIONAL DATA

Operating Characteristics

Package	Ambient Rating (120V - 277V)	Delivered Lumens 4000 K CCT @ 25C ‡	Wattage @ 120V	LPW @ 4000 K
HXPL L24 2 3L AS	-4°F to 131°F (-20°C to 55°C)	2783	26.6	104.6
HXPL L24 3 4L AS	-4°F to 131°F (-20°C to 55°C)	4110	36.75	111
HXPL L48 2 5L AS	-4°F to 131°F (-20°C to 55°C)	5450	46.9	116.2
HXPL L48 3 8L AS	-4°F to 131°F (-20°C to 55°C)	8220	73.5	111.8
HXPL L48 4 10L AS	-4°F to 131°F (-20°C to 55°C)	10918	93.6	116.6

‡ Notes	
Delivered Lumens 4000 K CCT @ 25C	Absolute photometry calculated in accordance with IESNA LM-79-08.

Projected Lumen Maintenance (TM-21)

Package ‡	0 Hours	15,000 Hours	30,000 Hours	45,000 Hours	60,000 Hours
HXPL L48 4 10L AS @ 25°C	1.0	0.95	0.91	0.87	0.83
HXPL L48 4 10L AS @ 40°C	1.0	0.94	0.89	0.85	0.80
HXPL L48 4 10L AS @ 55°C	1.0	0.92	0.86	0.80	0.74

‡ Notes	
Package	Project lumen maintenance factors at max. ambient temperature per lumen package.

Operating Temperature Code for Hazardous Locations:

Package ‡	Max Ambient Range	Class I Division 1 Groups C, D	Class II Division 1, Groups E, F, G, Class III
HXPL L24 2 3L	55°C	T6	T4A
HXPL L24 3 4L	55°C	T6	T5
HXPL L48 2 5L	55°C	T6	T4A
HXPL L48 3 8L	55°C	T6	T5
HXPL L48 4 10L	55°C	T6	T4A

‡ Notes	
Package	Supply wire temperature is 75°C.

Emergency Lumen Output

How to Estimate Delivered Lumens in Emergency Mode
 Use the formula below to estimate the delivered lumens in emergency mode
Delivered Lumens = P x LPW
 P = Output power of emergency driver
 LPW = Lumen per watt rating of the luminaire. (See chart on page 4)
 The LPW rating is also available at [Designlight Consortium](#)

P = 10 watts for EM10WCP

Emergency Lumen Output Example - 10 Watt Battery

Approximate Luminaire Efficacy	Approximate Lumens at 1 Minute	Approximate Lumens at 45 Minutes	Approximate Lumens at 90 Minutes
100 LPW	1000	1000	1000
110 LPW	1100	1100	1100
120 LPW	1200	1200	1200
130 LPW	1300	1300	1300
140 LPW	1400	1400	1400
150 LPW	1500	1500	1500

Zone Equivalency Markings

NEC Protections			
Area	Protection Techniques	Zone Equivalency Markings	
Class I			
Division 1	Intrinsic Safety	CLASS I, DIV 1, GROUP D	CLASS I, ZONE 1 GROUP IIA
	Explosion Proof	CLASS I, DIV 1, GROUP C	CLASS I, ZONE 1 GROUP IIB
Class II			
Division 1	Intrinsic Safety	CLASS II, DIV 1 GROUP E, F, OR G	CLASS II ZONE 20 AND ZONE 21
	Dust-ignitionproof		
	Pressurized		
Class III			
Division 1	Intrinsic Safety	N/A	N/A
	Dust tight		
	Hermetically-sealed		
Division 2	Nonincendive	N/A	N/A
	Any Class III, Division 1 technique		