

Catalog Number	
Notes	Type

Predator® Medium LED

Hazardous Locations



Description

The Hazardous Predator LED floodlights are built to withstand the harshest environments without sacrificing performance. Versatile and efficient, Hazardous Predator LED floodlights offer superior field to beam ratios in a rugged, corrosion-resistant housing. The Hazardous Predator LED floodlight offers one-for-one replacements for 100W to 400W HID while offering up to incredible energy savings.

Optics

- Highly specular internal reflector provides superior field to beam ratios.
- NEMA beam pattern choices of 4X4, 4X5, 5X5, 6X5, and 6X6 provide uniform illumination for any application.
- Borosilicate prismatic glass lens doesn't fade, discolor or otherwise degrade in harsh environments optimizing light levels over time.
- Replaces 100-400 watt HID luminaires.

Electrical

- CRI > 70 (nominal) is standard.
- 4000K or 5000k CCT available.
- Surge protection device provides IEEE/ANSI c62.4 (10kV/5kA) level of protection.

Mechanical

- Robust cast aluminum housing with low copper content (0.6% CU content) and durable epoxy finish withstands harsh and hostile environments.
- Designed to withstand 3G vibration.
- Stainless steel yoke mount.
- Removable door contains all driver and LED components and includes quick electrical disconnects.
- Rated -40°C to 40°C ambient.

Listings

- UL 844 Class I Div II Group A, B, C, D
- UL 1598 Wet location
- IP66
- Temperature code: T2B
- DesignLights Consortium® (DLC) Premium qualified product. Not all versions of this product may be DLC Premium qualified. Please check the DLC Qualified Products List at www.designlights.org/QPL to confirm which versions are qualified.

Warranty

5-year limited warranty. Complete warranty terms located at: www.acuitybrands.com/support/warranty/terms-and-conditions

NOTE: Actual performance may differ as a result of end-user environment and application. All values are design or typical values, measured under laboratory conditions at 25 °C. Specifications subject to change without notice.



Typical Applications

- Petroleum refineries
- Ethanol facilities
- Chemical plants
- Waste water & water treatment plants
- Power generation plants
- Paper mills
- Industrial perimeters
- Foundries
- Manufacturing plants

Dimensions: Inches (millimeters) unless otherwise noted.

Height: 15.3 (389)
 Width: 24.8 (631)
 Depth: 15.3 (389)
 Weight: 47 lbs. (21.3 kg)
 Max EPA = 3.0ft² (0.28 m²)

ORDERING INFORMATION

Example: HPFM 2MOD 44PG MVOLT 50K YMS2 1050MA MISC DBXD

Series	Performance Package	Distribution	Voltage	Color Temperature	Mounting
HPFM	2MOD 2 Modules	44PG 4x4 Prismatic glass	MVOLT Auto Sensing (120-277)	40K 4000K	YMS2 Yoke Stainless Steel
	3MOD 3 Modules	45PG 4x5 Prismatic glass	120 120V	50K 5000K	YMG2 Yoke Galvanized
	4MOD 4 Modules	55PG 5x5 Prismatic glass	208 208V		
	5MOD 5 Modules	65PG 6x5 Prismatic glass	240 240V		
	6MOD 6 Modules	66PG 6x6 Prismatic glass	277 277V		
				HVOLT Auto sensing (347V/480V)	
			347 347V		
			480 480V		

Power Cord/Wiring Box	Drive Current	Options	Primary Finish
0463 Power Cord 16 gage, 3 conductor with Wiring Box	1050MA 1050 mA driver	NL Nema Label	DBXD Black Superdurable with Epoxy Primer
0443 Power Cord 14 gage, 3 conductor with Wiring Box	700MA 700 mA driver	SF Single fusing †	DGXD Gray Superdurable with Epoxy Primer
0423 Power Cord 12 gage, 3 conductor with Wiring Box		DF Double fusing †	DGRXD Graphite Superdurable with Epoxy Primer
		MISC Mex	DWHXD White Superdurable with Epoxy Primer
			DBZXD Bronze Superdurable with Epoxy Primer

Predator Medium LED

Hazardous Locations



Accessories: Order as separate catalog number.			
HPFMFV XXX	Full visor, XXX denotes color ‡	HPFMVG	Vandal guard ‡
HPFMUBV XXX	Upper/bottom visor, XXX denotes color ‡	HPFMWG	Wire guard ‡

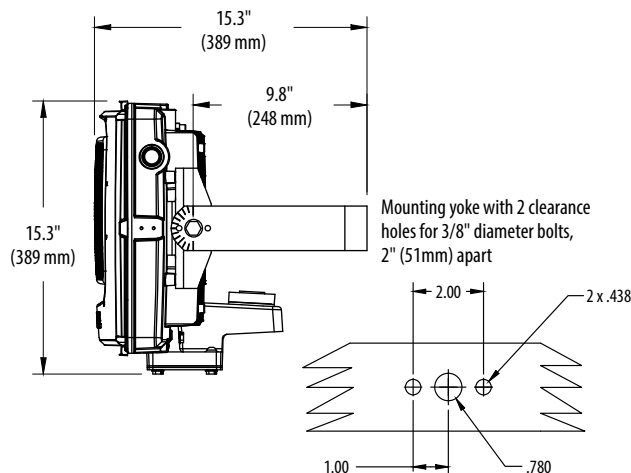
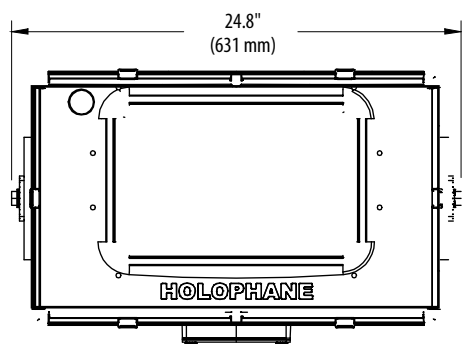
‡ Option Value Ordering Restrictions	
Option value	Restriction
DF	Must specify voltage. 208, 240 or 480V only. Fusing not permitted for use in Canada per CSA C22.2 No. 137 clause 3.4.11.
HPFMFV XXX	Not available with other visor and guard accessories.
HPFMUBV XXX	Not available with other visor and guard accessories.
HPFMVG	Not available with other visor and guard accessories.
HPFLMWG	Not available with other visor and guard accessories.
SF	Must specify voltage. 120, 240, 277 or 347V only. Fusing not permitted for use in Canada per CSA C22.2 No. 137 clause 3.4.11.

Predator Medium LED

Hazardous Locations



DIMENSIONAL DATA



OPERATIONAL DATA

Operating temperature codes for hazardous locations:

Package	Max ambient rating	Class 1, Division 2 Groups A, B, C, D
All	40°C	T2B

OPERATING CHARACTERISTICS

HPFM Predator flood 1050mA 4000K, 70CRI

1050mA	Distribution	Delivered lumens	Input watts	LPW
2 modules	44PG	9472	84	113
	45PG	9544		114
	55PG	10177		122
	65PG	10283		123
	66PG	9942		119
3 modules	44PG	14159	125	114
	45PG	14266		114
	55PG	15213		122
	65PG	15371		123
	66PG	14861		119
4 modules	44PG	18650	165	113
	45PG	18791		114
	55PG	20039		121
	65PG	20246		122
	66PG	19575		118
5 modules	44PG	22920	206	111
	45PG	23093		112
	55PG	24627		120
	65PG	24882		121
	66PG	24057		117
6 modules	44PG	27118	246	110
	45PG	27323		111
	55PG	29137		118
	65PG	29439		120
	66PG	28463		116

HPFM Predator flood 700mA 4000K, 70CRI

700mA	Distribution	Delivered lumens	Input watts	LPW
2 modules	44PG	6987	54	129
	45PG	7040		130
	55PG	7507		139
	65PG	7585		140
	66PG	7334		135
3 modules	44PG	10444	81	129
	45PG	10523		130
	55PG	11222		139
	65PG	11338		140
	66PG	10963		135
4 modules	44PG	13757	107	128
	45PG	13861		129
	55PG	14782		138
	65PG	14935		139
	66PG	14440		134
5 modules	44PG	16907	134	126
	45PG	17035		127
	55PG	18166		136
	65PG	18354		137
	66PG	17746		133
6 modules	44PG	20003	160	125
	45PG	20155		126
	55PG	21493		134
	65PG	21716		136
	66PG	20996		131